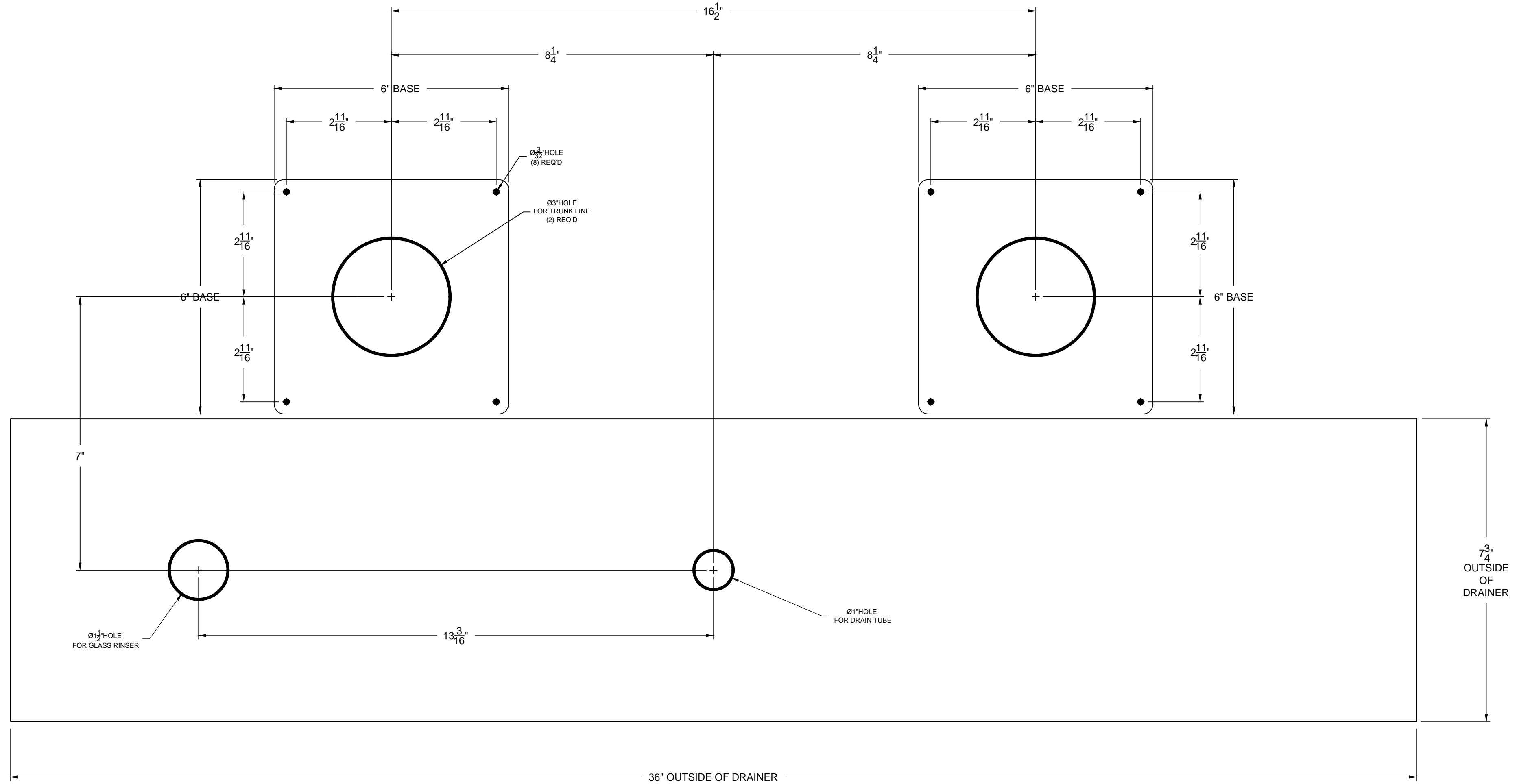
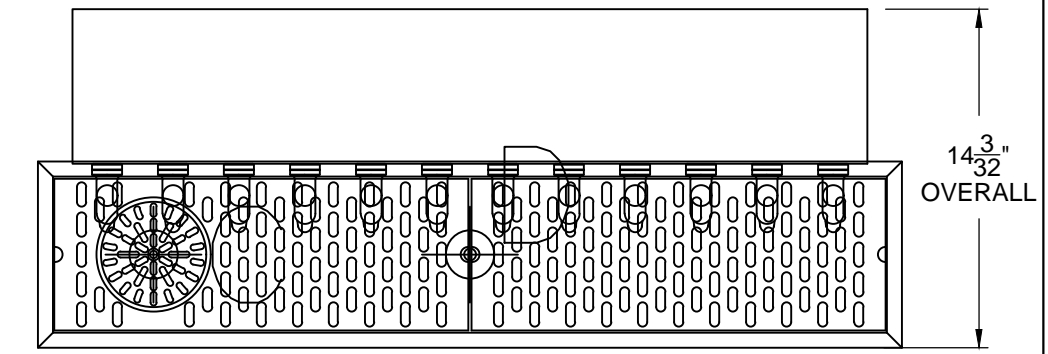
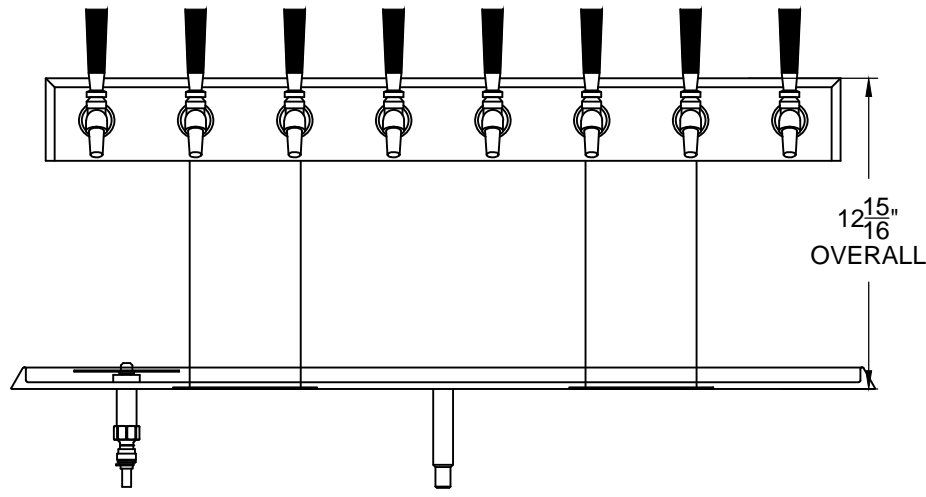


4006-8B,9B,10B,11B,12B & C18655-GRE

MOUNTING TEMPLATE



PERLICK CORPORATION
MILWAUKEE, WI 53223
PROPERTY OF THE PERLICK CORP.
NOT TO BE COPIED OR USED DETRIMENTAL TO OUR INTERESTS.

SCALE 1:2
DR. DRH DATE 9-7-2016

LAST MODIFIED 1006751GRE
XX-XX-XXXX