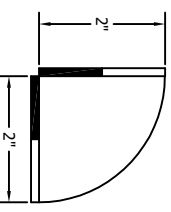
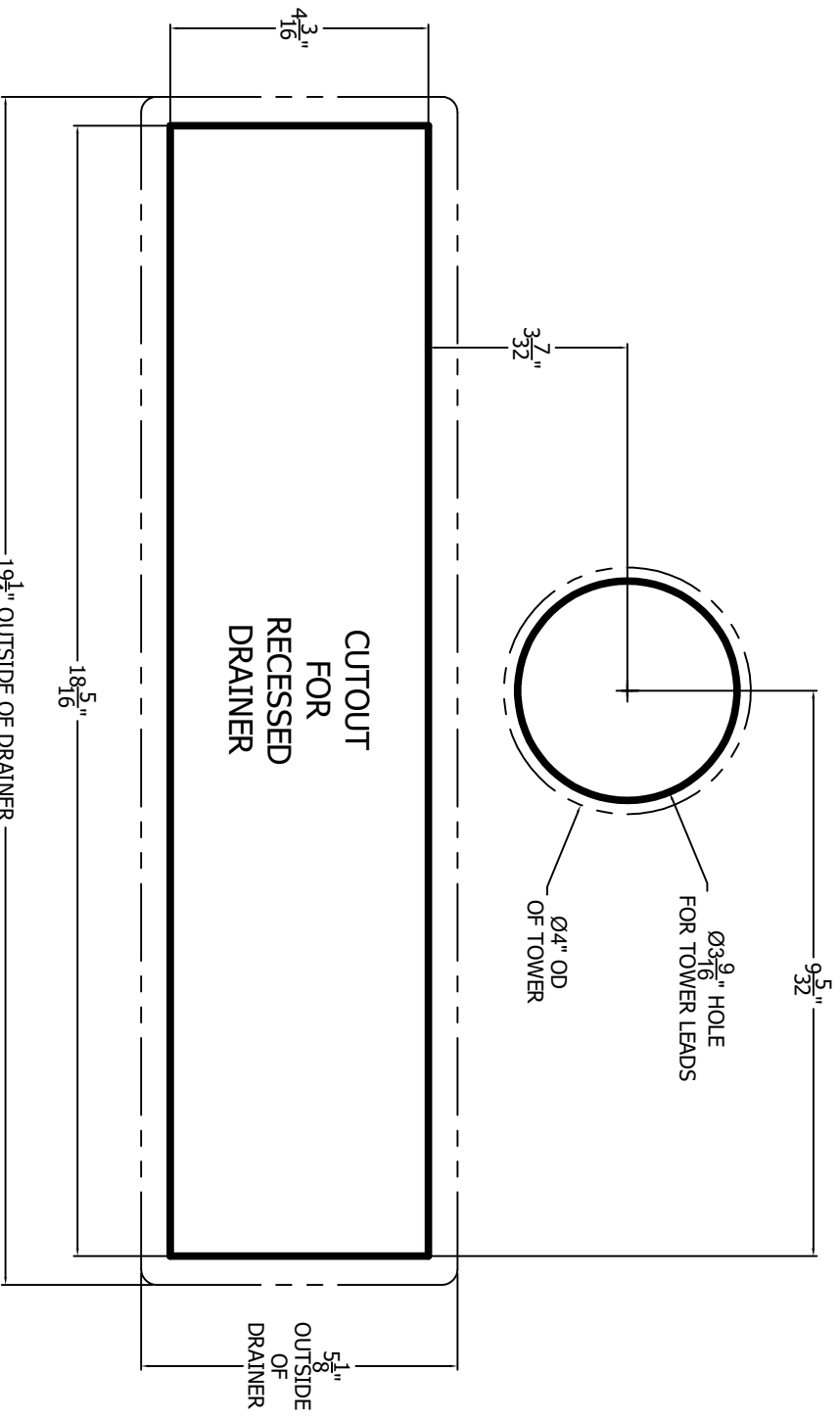
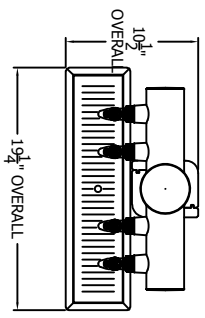
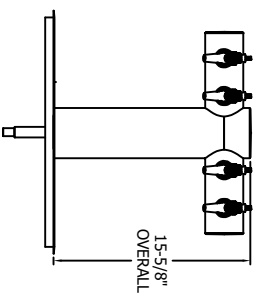


**4073, AVENUE 4-FAUCET T-PIPE TOWER & C32357 RECESSED DRAINER
WITH 630SS FAUCETS
MOUNTING TEMPLATE**



ATTENTION INSTALLERS
VERIFY SCALE OF PRINT
BY CHECKING THESE DIMENSIONS
PRIOR TO INSTALLATION OF BEER HEAD
(EACH SIDE SHOULD MEASURE
EXACTLY 2.00 INCHES)