

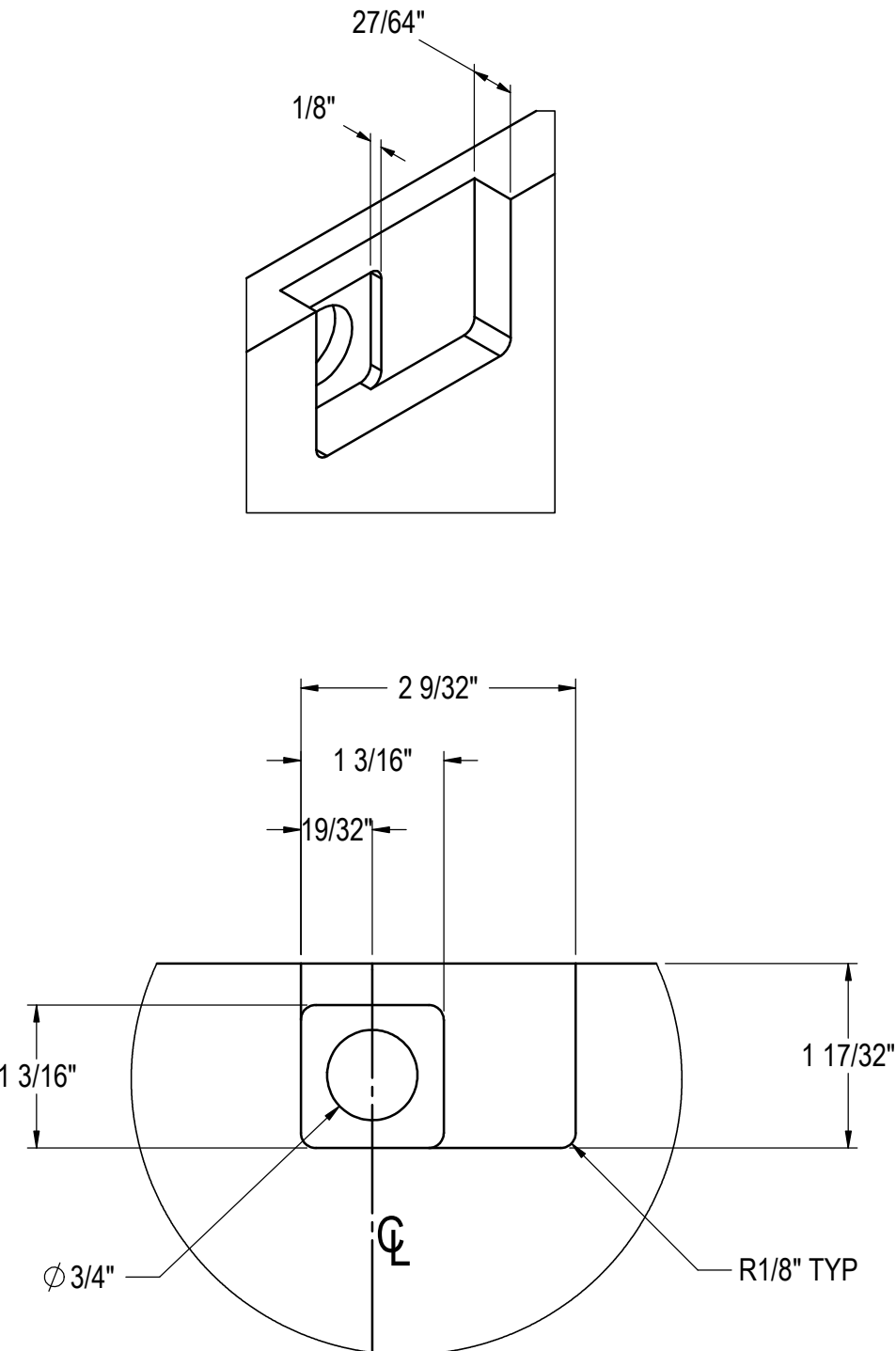
THIS FEATURE ONLY REQUIRED ON UPPER DRAWERS WITH LOCKS.

NOTE: VALID FOR ANY ORDERS ENTER ON OR AFTER JAN. 1, 2016

RELEASE FOR PRODUCTION		
A	11/10/2015	JMP
REVISIONS		

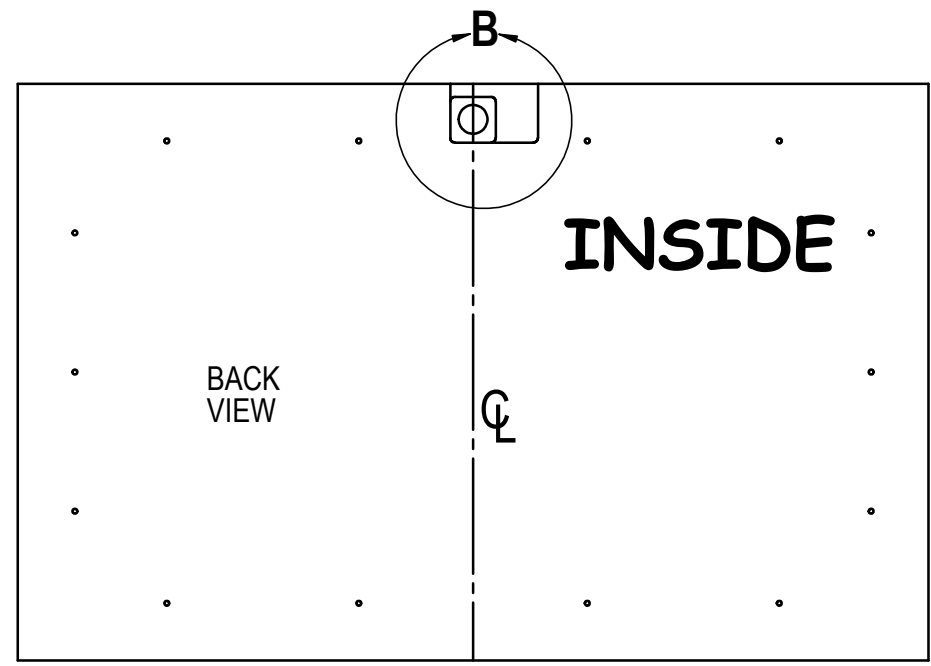
MATERIAL: WOOD	SIGNATURES	DATE	Perlick Corporation Milwaukee, Wisconsin	
	DESIGNED JMP	11/10/2015		
QTY.:	DRAWN JMP	11/10/2015	TITLE: SOLID WOOD OVERLAY RESIDENTIAL 15" DRAWERS	
	FINISH:	REFERENCE:		
UNLESS OTHERWISE SPECIFIED: DIMENSIONS ARE IN INCHES TOLERANCES: .X = ±.05, .XX = ±.01, .XXX = ±.005, ANGULAR: ±.5°, FRACTIONS: ±1/64 BREAK SHARP EDGES - .015 X 45° RADIUS SHARP FILLETS - .015 TO .031 HOLES: ϕ .0135 THRU ϕ .125: ±.004 ϕ .1260 THRU ϕ .250: ±.005 ϕ .2510 THRU ϕ .500: ±.006 ϕ .5010 THRU ϕ .750: ±.008 ϕ .7510 THRU ϕ 1.000: ±.010 ϕ 1.001 & UP: ±.012			PART NO. 68134A-7	DWG NO. 68134A
			PURCHASE REC.:	SCALE = 1:5
			SHEET 7 OF 16	

THIS DOCUMENT / PUBLICATION / SOFTWARE / DRAWING CONTAINS PROPRIETARY INFORMATION WHICH IS THE PROPERTY OF THE PERLICK CORPORATION. IT MAY NOT BE REPRODUCED OR TRANSMITTED IN ANY FORM, ELECTRONIC OR MECHANICAL, INCLUDING PHOTOCOPYING, RECORDING, OR USED IN ANY INFORMATION STORAGE, TRANSMISSION, OR RETRIEVAL SYSTEM, WITHOUT WRITTEN PERMISSION FROM THE PERLICK CORPORATION. COPYRIGHT 2001 PERLICK CORPORATION. ALL RIGHTS RESERVED.



DETAIL B
SCALE 1 : 1.5

**NOTE: VALID FOR ANY ORDERS
ENTER ON OR AFTER JAN. 1, 2016**



RELEASE FOR PRODUCTION		
A	11/10/2015	JMP
REVISIONS		

<small>UNLESS OTHERWISE SPECIFIED: DIMENSIONS ARE IN INCHES TOLERANCES: .X = ±.05, .XX = ±.01, .XXX = ±.005, ANGULAR: ±.5°, FRACTIONS: ±1/64 BREAK SHARP EDGES - .015 X 45°. RADIUS SHARP FILLETS - .015 TO .031</small>	SIGNATURES	DATE	Perlick Corporation Milwaukee, Wisconsin	
	DESIGNED JMP	11/10/2015		
	DRAWN JMP	11/10/2015	CHECKED	11/10/2015
MATERIAL:	QTY.:	FINISH:	REFERENCE:	
			PART NO.	DWG NO.
				68134A
			PURCHASE REC.:	SCALE = 1:5 SHEET 16 OF 16
<small>THIS DOCUMENT / PUBLICATION / SOFTWARE / DRAWING CONTAINS PROPRIETARY INFORMATION WHICH IS THE PROPERTY OF THE PERLICK CORPORATION. IT MAY NOT BE REPRODUCED OR TRANSMITTED IN ANY FORM, ELECTRONIC OR MECHANICAL, INCLUDING PHOTOCOPYING, RECORDING, OR USED IN ANY INFORMATION STORAGE, TRANSMISSION, OR RETRIEVAL SYSTEM, WITHOUT WRITTEN PERMISSION FROM THE PERLICK CORPORATION. COPYRIGHT 2001 PERLICK CORPORATION. ALL RIGHTS RESERVED.</small>				