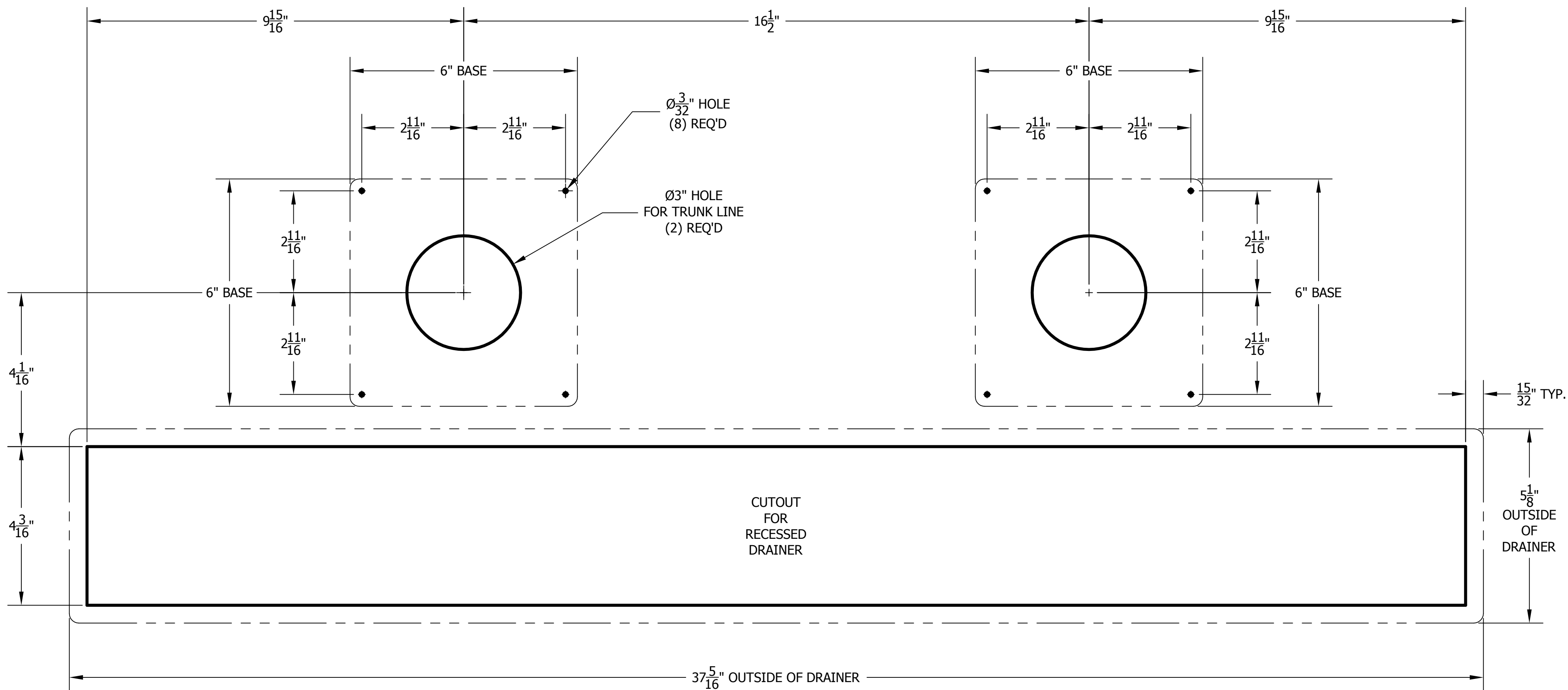
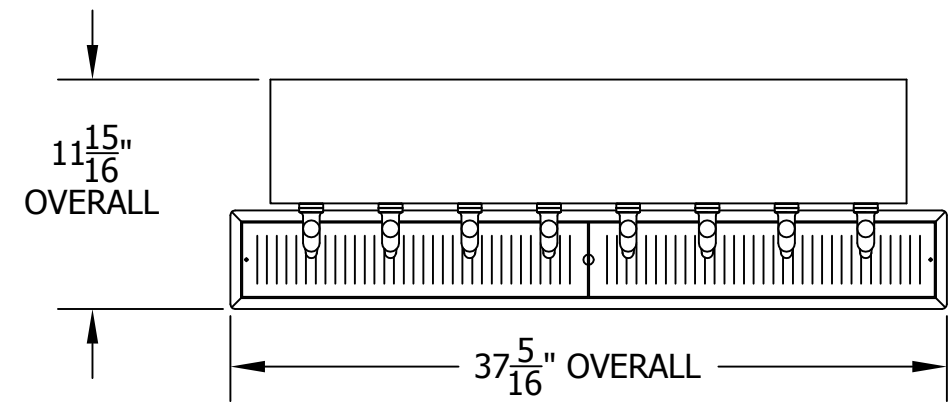
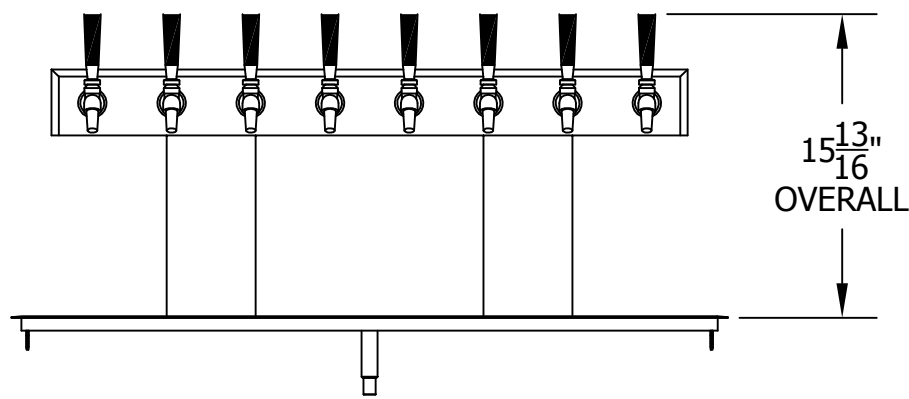


4006-8B BRIDGE TOWER & 58979 RECESSED DRAINER

WITH 525SS FAUCETS MOUNTING TEMPLATE



****DRAWING NOT TO FULL SCALE****



PERLICK CORPORATION
MILWAUKEE, WI 53223
PROPERTY OF THE PERLICK CORP.
NOT TO BE COPIED OR USED DETRIMENTAL TO OUR INTERESTS.

SCALE 1:2
DR. JMP DATE 6/7/2011

LAST MODIFIED
6/13/2011

94065-525