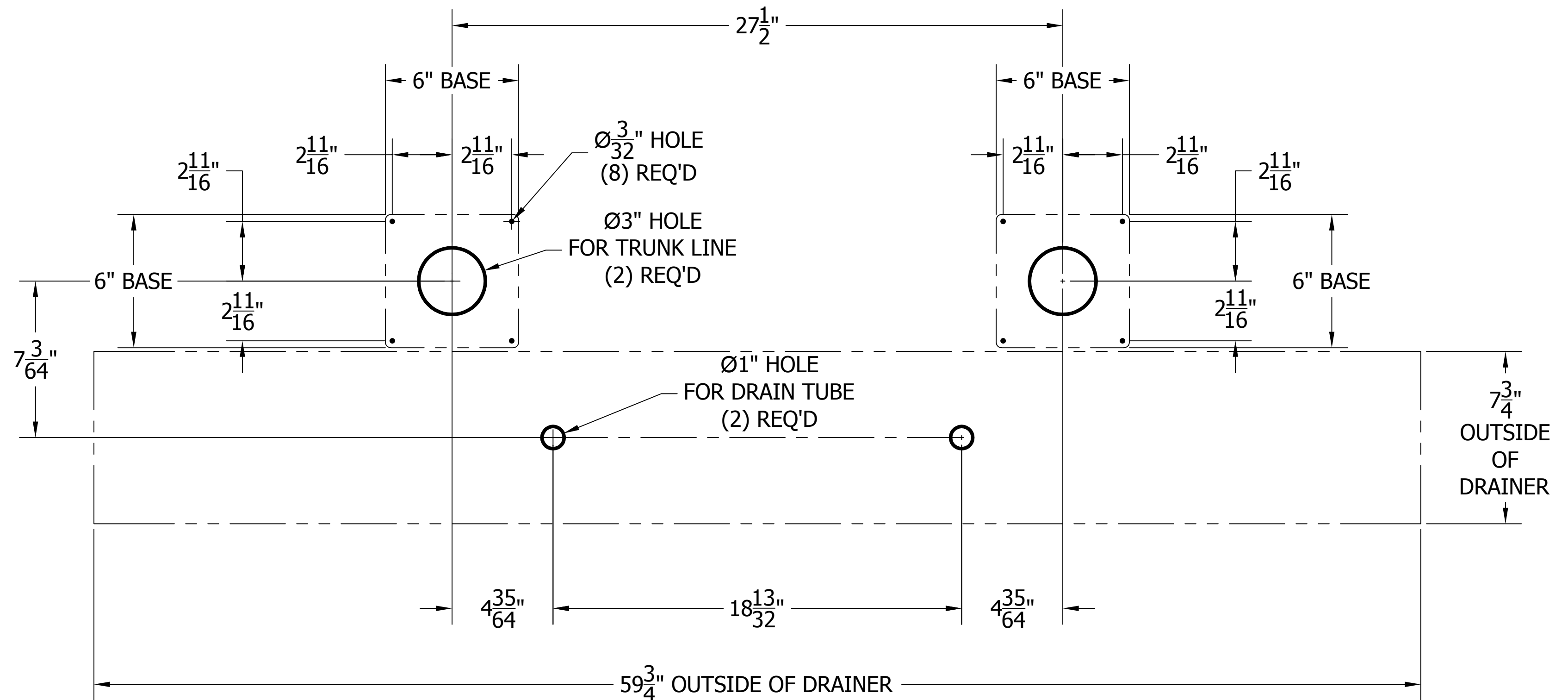
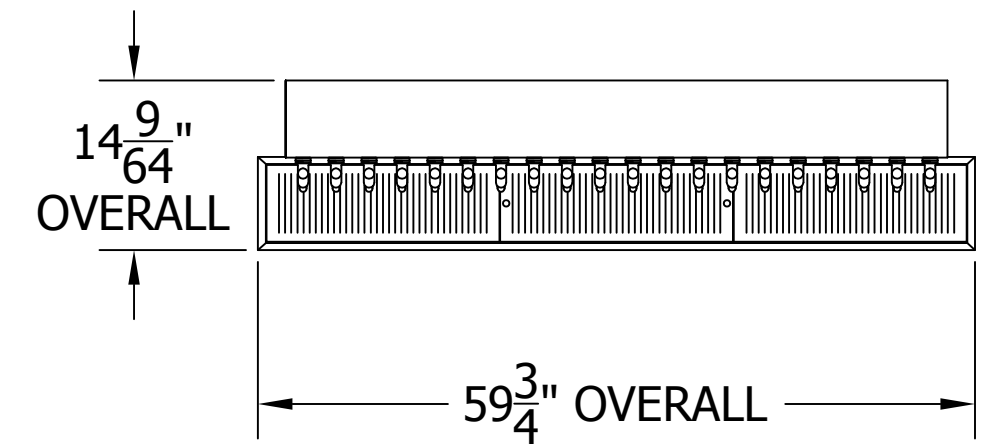
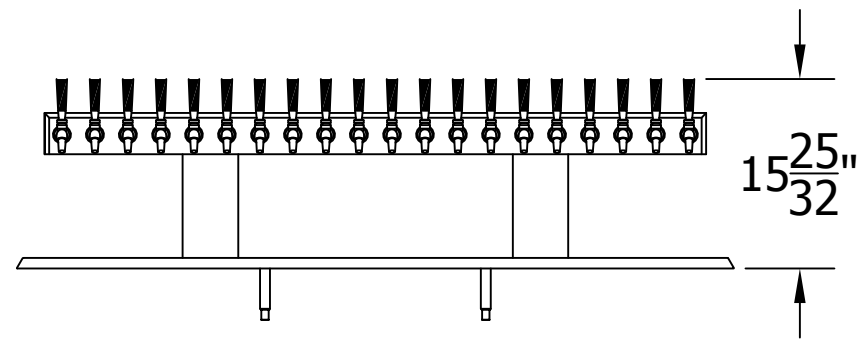


4006-20B BRIDGE TEE TOWER & C18665 TOP MOUNTED DRAINER

408 FAUCETS OR 525SS FAUCETS

MOUNTING TEMPLATE



**** DRAWING NOT TO FULL SCALE ****



PERLICK CORPORATION
MILWAUKEE, WI 53223
PROPERTY OF THE PERLICK CORP.
NOT TO BE COPIED OR USED DETRIMENTAL TO OUR INTERESTS.

SCALE 1:4
DR. JMP DATE 6/17/2011

LAST MODIFIED
1/28/2013

94082