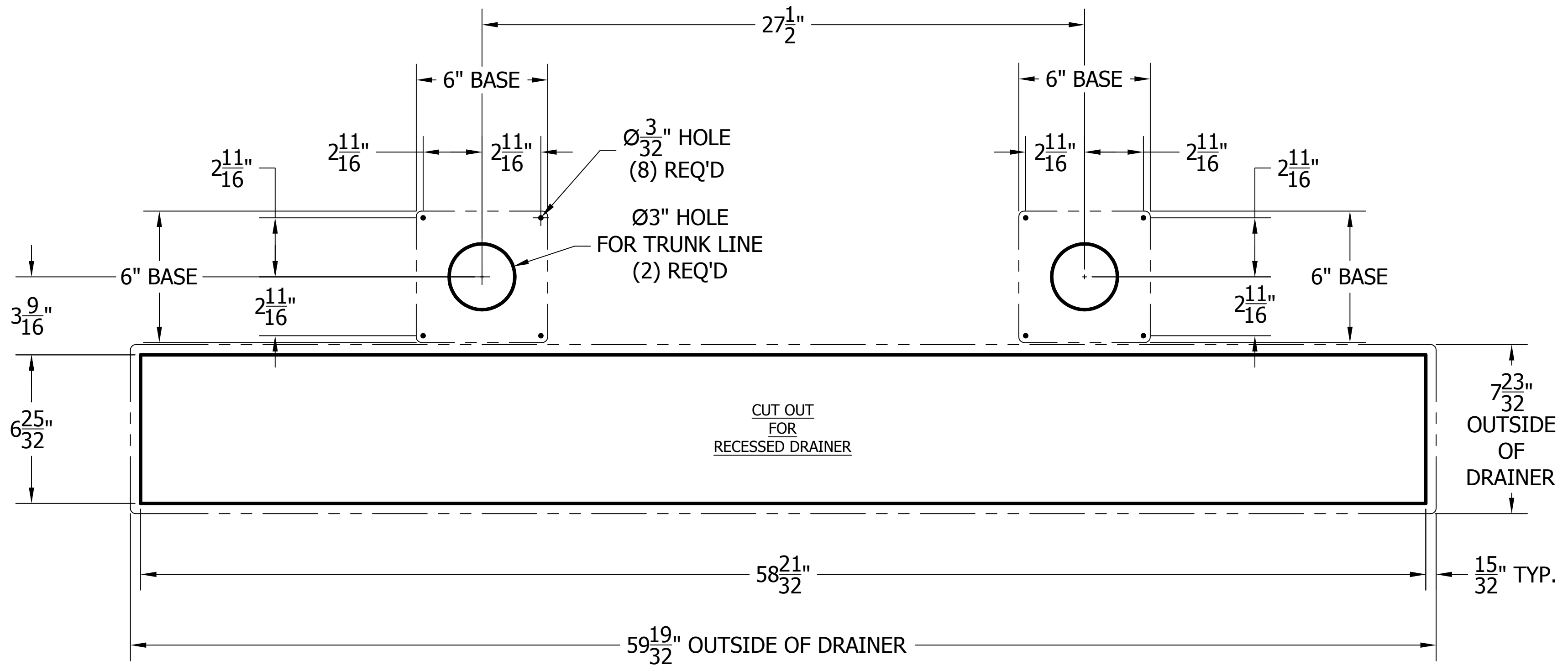
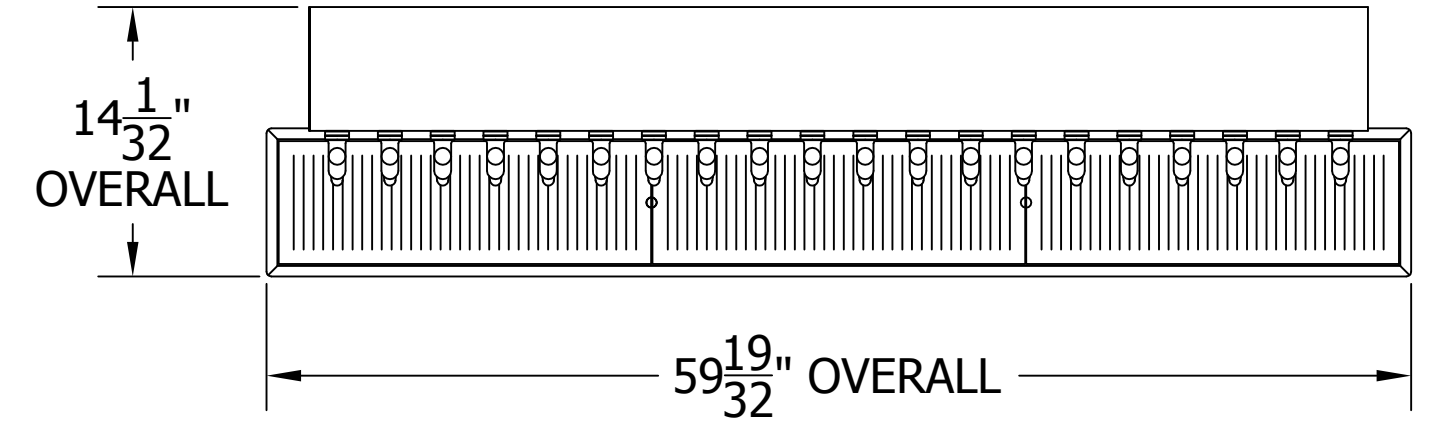
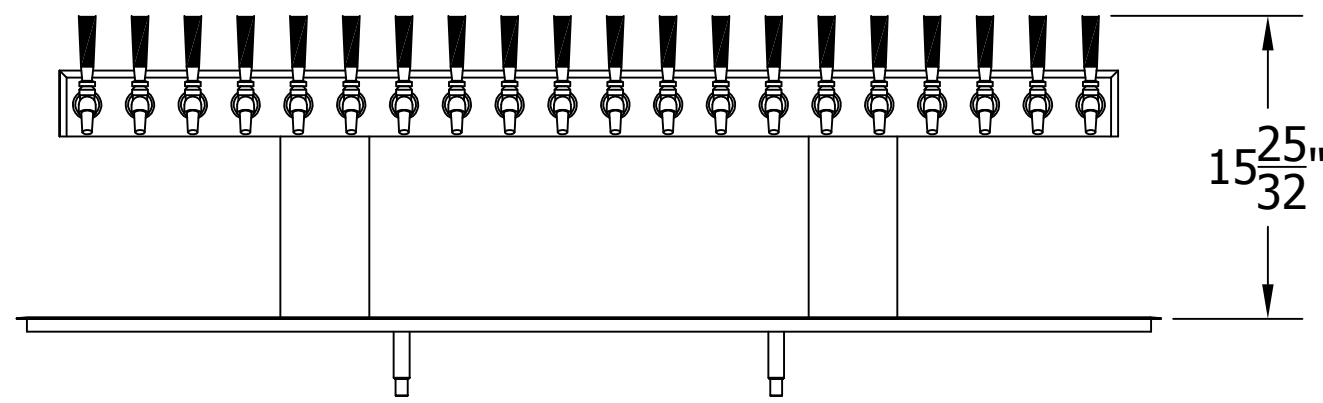


4006-20B BRIDGE TEE TOWER & 69327 RECESSED DRAINER

408 FAUCETS OR 525SS FAUCETS

MOUNTING TEMPLATE



**** DRAWING NOT TO FULL SCALE ****



PERLICK CORPORATION
 MILWAUKEE, WI 53223
PROPERTY OF THE PERLICK CORP.
 NOT TO BE COPIED OR USED DETRIMENTAL TO OUR INTERESTS.

SCALE 1:4
 DR. JMP DATE 3/30/2012

LAST MODIFIED
 3/30/2012

94084