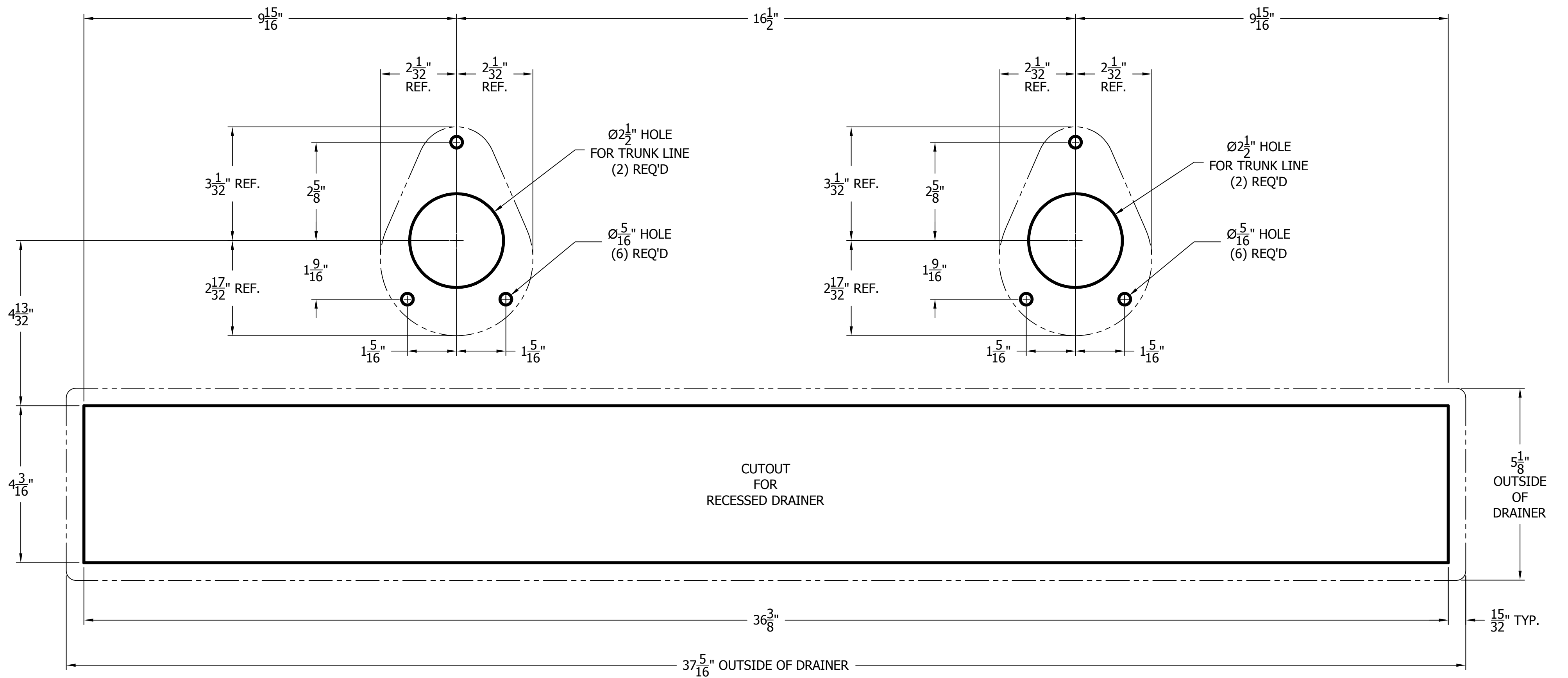
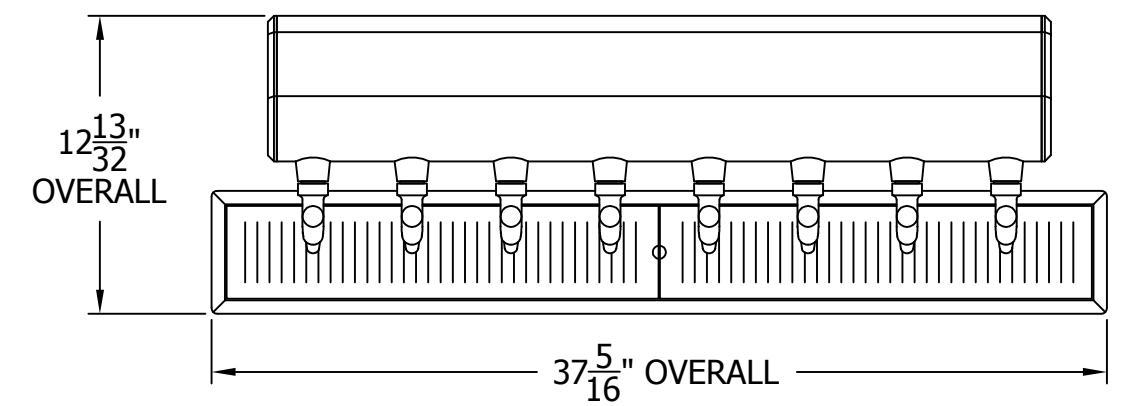
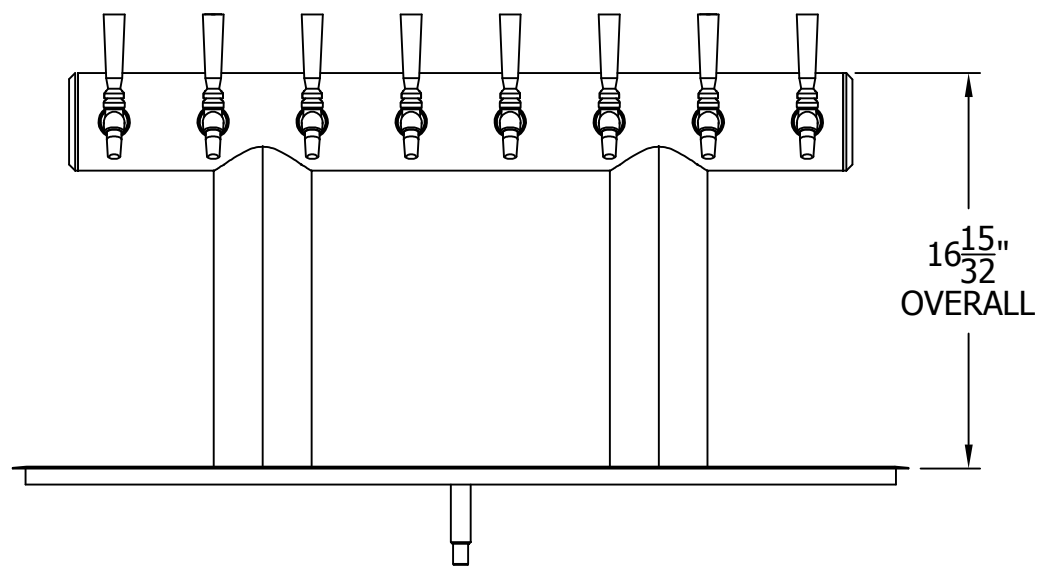


66500-8B WINGED BRIDGE TOWER & 58979 RECESSED DRAINER

WITH 525SS FAUCETS MOUNTING TEMPLATE



DRAWING NOT TO FULL SCALE



PERLICK CORPORATION
MILWAUKEE, WI 53223
PROPERTY OF THE PERLICK CORP.
NOT TO BE COPIED OR USED DETRIMENTAL TO OUR INTERESTS.

SCALE 1:2
DR. JMP DATE 1/31/2012

LAST MODIFIED
1/31/2012

94216-525