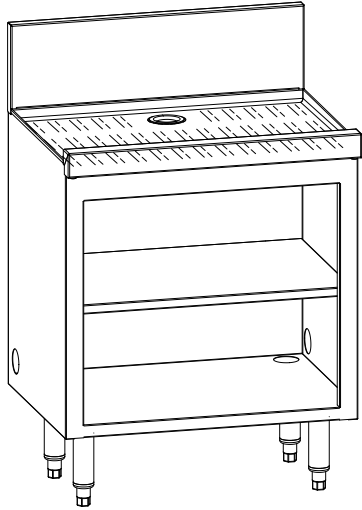
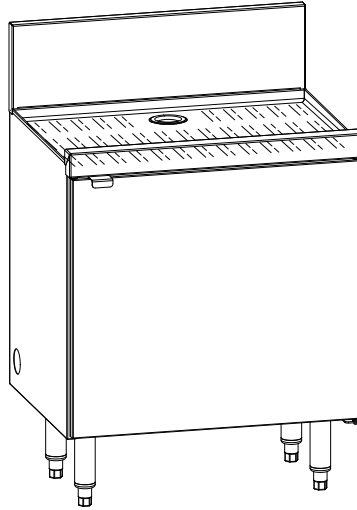




**STORAGE CABINETS WITH FULL DRAINBOARD TOP**  
**12-48"W x 18 9/16"D**



SC24-18



SC24-18 (w/ Door)

JOB	
AREA	
ITEM NO.	
MODEL NO.	

MODELS
<b>TS SERIES</b>
SC12-18
SC18-18
SC24-18
SC30-18
SC36-18
SC42-18
SC48-18

**KEY PRODUCT FEATURES AND BENEFITS**

- Embossed stainless steel drainboard top
- Adjustable stainless steel shelf for glass racks
- Optional stainless door can be factory or field installed, with or without locks
- Sound deadened work surfaces for quiet operation
- Storage cabinets complete an upscale underbar equipment setup
- 6" Stainless steel backsplash
- Stainless steel legs with 1" adjustable feet
- Designed to be modular, provides custom configurations using standard components
- All stainless steel construction

**Quick Features:**

- Adjustable feet for easy installation and leveling
- All stainless construction for durability
- Stores plenty of glassware right were your bartender needs them to handle a rush
- Storage cabinets maximize vertical space behind the bar

MODEL NUMBERS - SC12-18, SC18-18, SC24-18, SC30-18, SC36-18, SC42-18, SC48-18

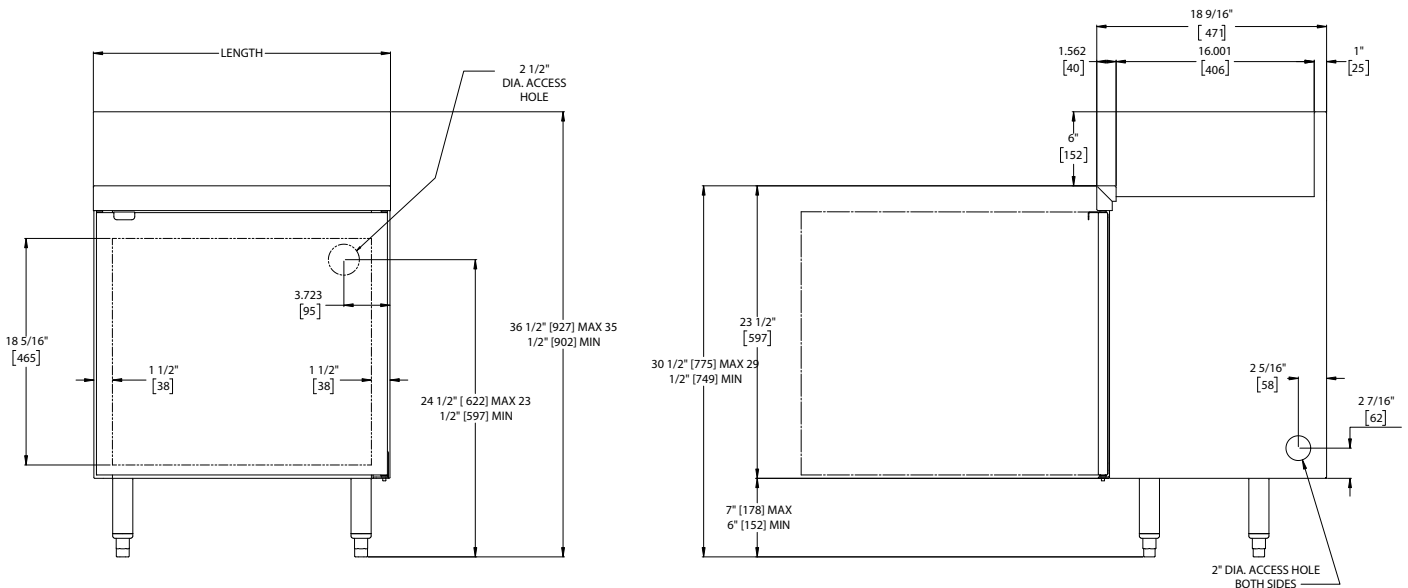
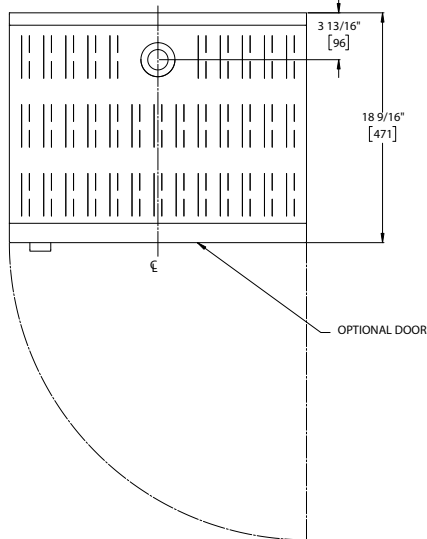


**STORAGE CABINETS WITH FULL DRAINBOARD TOP**  
**12-48"W x 18 9/16"D**

MODEL NUMBERS - SC12-18, SC18-18, SC24-18, SC30-18, SC36-18, SC48-18

MODEL NOS.		SC12-18	SC18-18	SC24-18	SC30-18	SC36-18	SC48-18
<b>DIMENSIONS:</b> Inches (mm)	Length	12" (305)	18" (457)	24" (610)	30" (610)	36" (914)	48" (1219)
	Weight (lbs)	24 (11)	32 (15)	52 (24)	64 (30)	80 (36)	100 (45)
<b>MATERIALS</b>	General Parts	Stainless Steel					
	Backsplash	Stainless steel 6" high (4" high optional) with 1" return at the top, mechanically fastened and sealed with steel support brackets.					
	Drainboard	Embossed stainless steel, 21 7/16" deep front to back. All horizontal and vertical edges 1/4" radius with balled corners. Stainless steel drain socket. Drain location is back center.					
	Legs	1-5/8" tubular, stainless steel with 1" adjustable thermoplastic foot					
	Shelf	Adjustable shelf is reinforced stainless steel.					
<b>MECHANICALS</b>	Plumbing	Drain connection: 1-1/2" NPS male					
<b>DOOR(S)</b>	Optional	Stainless steel outer and inner door panels. Dual magnetic catches per door. <b>Note:</b> Cabinets 30" or longer have two doors.					

DRAIN LOCATED ON CENTERLINE OF UNIT



Form No. SB03-1  
 Rev 06.28.21