

24" SIGNATURE SERIES REFRIGERATOR

Perlick®

HP24RS-3 | 24" INDOOR MODEL
HP24RO-3 | 24" OUTDOOR MODEL



Glass Door Model



Solid Door Model



Drawer Model

GENERAL SIGNATURE SERIES FEATURES



- **Industry Exclusive** front-vented RAPIDcool forced-air refrigeration system provides best-in-class cooling performance
- Powerful yet efficient 995 BTU variable-speed compressor ramps up to quickly bring down temperature of room temperature product
- Commercial-grade stainless steel interior and exterior
- All models available with stainless steel or panel ready door. Panel ready doors come ready to accept customer-supplied overlay and handle
- **Industry Exclusive** full extension refrigerator shelves provide easy access for stocking and retrieving product. Shelves glide smoothly in and out of cabinet on stainless steel ball bearing glides
- Zero-clearance hinging allows for abutment with surrounding cabinetry
- Drawer models feature self-closing slides
- Adjustable Crisp White and Cool Blue LED lighting
- Low E, double pane UV-resistant glass provides exceptional insulation and protection from light
- State-of-the-art digital control module
- Comprehensive Full Three Year Warranty plus additional three years on sealed system

HP24RS/RO FEATURES

- Available with stainless steel solid door, panel ready solid door, stainless steel glass door, panel ready glass door, stainless steel drawers or panel ready drawers
- Includes two (2) full extension refrigerator shelves
- Refrigerator rated for both food and beverage storage
- Storage capacity for 144 cans
- Refrigerator temperature 33°- 42°F

OPTIONAL ACCESSORIES

(L)	Factory Installed Lock
67991-L/R	Stacking Kit for HP24/HC24/HA24 models
66736	Caster Kit for HP24/HC24/HA24 models
RK24DP	Drawer Pan Tray (3 SS pans with covers)

Perlick accessories are available for purchase through an authorized Perlick dealer. For a full list of accessories and to find a dealer near you, visit perlick.com/residential

FORM NO. Z2538
 REV. A-09/07/2018

PRODUCT SPECIFICATIONS

Product Width	23-7/8" (606 mm.)
Product Height	34-1/4" (870 mm.)
Product Depth	24" (610 mm.)
Opening Width	24" (610 mm.)
Opening Height	34-1/2" (876 mm.)
Opening Depth**	24-7/8" (632 mm.)
Refrigerated Volume	5.2 cu. ft.
Door Swing Clearance	25" (635 mm.) minimum
Electrical	115V, 60Hz., 1 Phase, 2.3 amps
Compressor	995, variable-speed
Plumbing	None Required
Annual Energy Usage	275 kWh/yr (solid door) 290 kWh/yr (glass door) 290 kWh/yr (drawers)
Shipping Weight	191 lbs (68.04 kg.)

** Includes 7/8" plug clearance. To achieve 24" depth, you must recess the plug into the wall directly behind the unit.

INDOOR MODELS

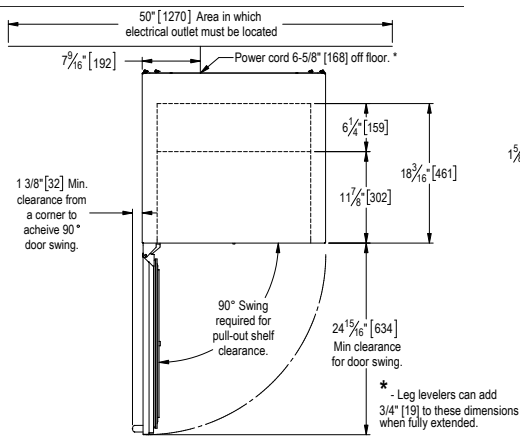
HP24RS-3-1L*	Stainless steel solid door, hinge left
HP24RS-3-2L*†	Panel ready solid door, hinge left
HP24RS-3-3L*	Stainless steel glass door, hinge left
HP24RS-3-4L*†	Panel ready glass door, hinge left
HP24RS-3-5	Stainless steel drawers
HP24RS-3-6†	Panel ready drawers

OUTDOOR MODELS

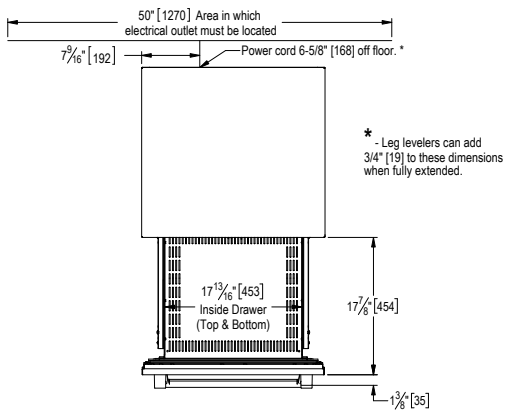
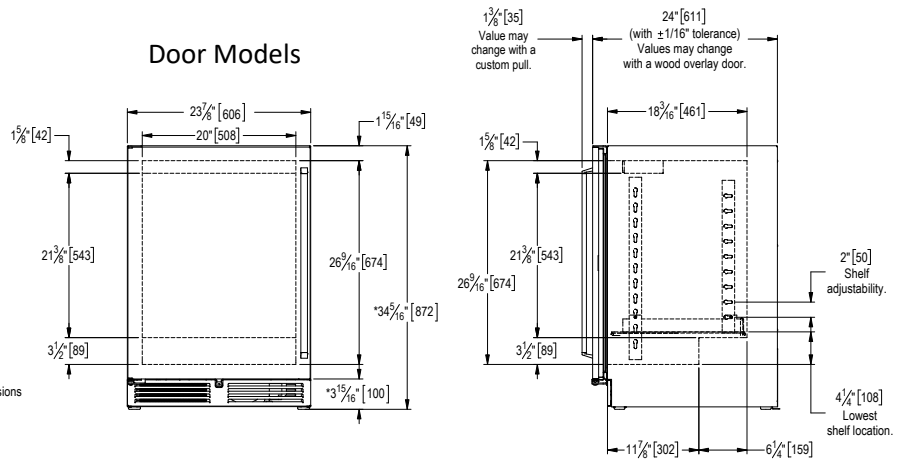
HP24RO-3-1L*	Stainless steel solid door, hinge left
HP24RO-3-2L*†	Panel ready solid door, hinge left
HP24RO-3-3L*	Stainless steel glass door, hinge left
HP24RO-3-4L*†	Panel ready glass door, hinge left
HP24RO-3-5	Stainless steel drawers
HP24RO-3-6†	Panel ready drawers

* Also available hinge right (R)

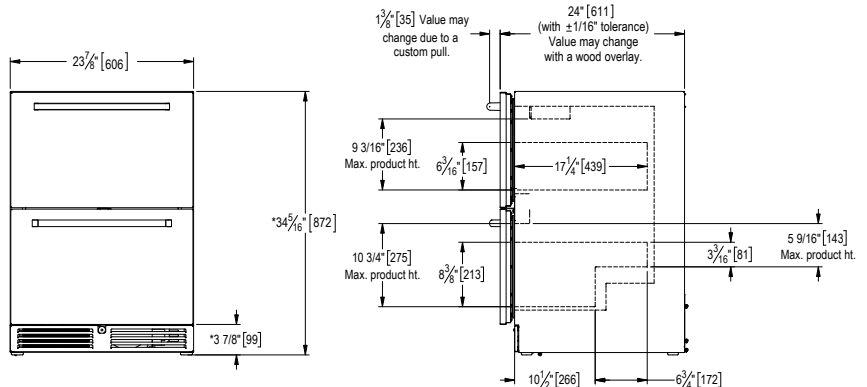
† This unit comes ready to accept customer-provided overlay panel and handle



Door Models



Drawer Models



California Prop 65 Notice:

WARNING: The materials used in this product may contain chemicals known to the State of California to cause cancer and birth defects or other reproductive harm. For more information go to www.P65Warnings.ca.gov.

FORM NO. Z2538
REV. A-09/07/2018